

# DURAVANE II

## Submittal

JDV3 14 20 & 24  
DuraVane II Architectural  
Copper/Aluminum and  
Steel Elements

### JDV3 Slip Jointed Enclosure

## Specification

#### ENCLOSURE:

- STYLE: DuraVane II  
OUTLET: Extruded Aluminum Grille  
Pencil Proof
- LENGTHS: 2' thru 8' in 6" Increments  
MAT'L:  16 Ga. CRS STD.  
 14 Ga. CRS (Opt'l)
- FINISH  Baked Enamel Std.  
 16 Ga. Stainless Steel (Opt'l)  
 14 Ga. Stainless Steel (Opt'l)  
 14 Ga. Aluminum (Opt'l)  
 12 Ga. Aluminum (Opt'l)

#### ACCESSORIES:

- JDV3 Overlapping Type  
All accessories have finger tabs at the bottom for easy installation.

#### ELEMENT:

- TYPE:  Cu/Al (Mechanically Expanded)
- LENGTHS: 2'0" thru 12'6" in 1" Increments for 1" & 1-1/4" Cu.  
2' thru 8' in 1" Increments for 3/4" Cu.
- One End Flared, Std.
- TYPE  IPS Steel (Mechanically Expanded)
- LENGTHS: 2'0" thru 12'6" in 1" Increments  
 NPT Thread both Ends Std.  
 Beveled Ends for Field Weld  
See Catalog for Working Pressures

#### BACKPLATE:

- TYPE:  Partial B/P  
LENGTHS: 8' Only  
MAT'L:  20 Ga. Prepainted (Opt'l)  
 18 Ga. Galvannealed (Opt'l)
- Full Ht. B/P (Opt'l)  
2' thru 8' in 6" increments  
 20 Ga. Galvannealed (Opt'l)  
 18 Ga. Painted (Opt'l)

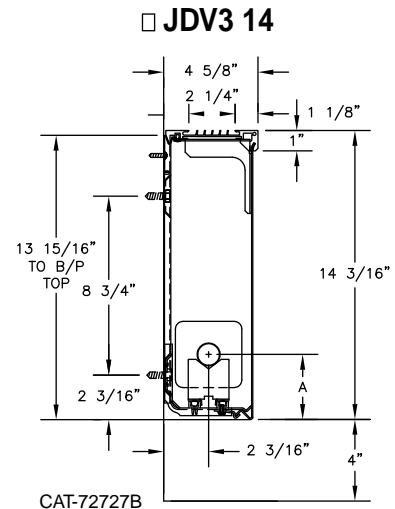
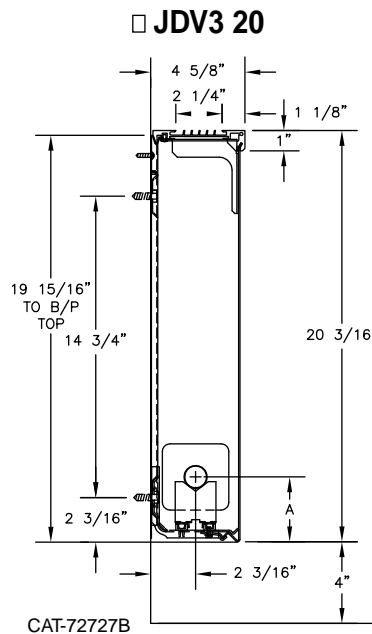
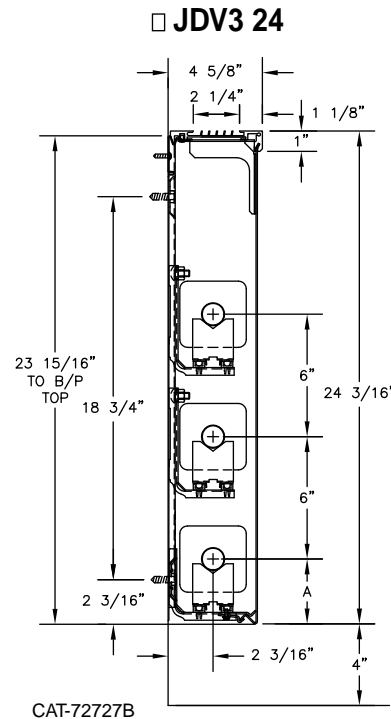
#### AIRSEAL:

- 1/8" x 3/8" Closed Cell (Opt'l)

#### BRACKETS:

- Water Brkt w/B.B.  
 Steam Brkt w/Brkt Mtd B.B. Hngr

ELEMENT TUBE SIZE	CRADLE NO.	A MIN.
3/4" COPPER	2	3
1" COPPER	2	3 3/16
1 1/4" COPPER	1	2 5/8
1 1/4" STEEL	1	2 13/16



# Vulcan

RADIATOR

260 North Elm St., Westfield, MA 01085  
(413) 568-9571 Fax: (413) 564-5661  
www.vulcanrad.com



PROJECT: \_\_\_\_\_ DATE: \_\_\_\_\_

LOCATION: \_\_\_\_\_

ARCHITECT: \_\_\_\_\_

ENGINEER: \_\_\_\_\_

CONTRACTOR: \_\_\_\_\_

PO NUMBER: \_\_\_\_\_

## STYLES JDV3 DURAVANE II

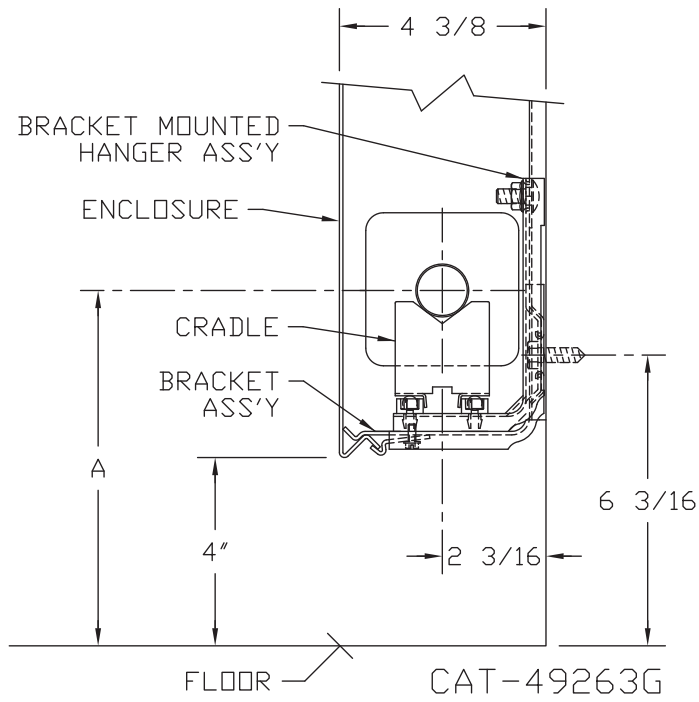
COPPER/ALUMINUM ELEMENT					ENCLOSURE DEPTH IN INCHES	ENCLOSURE HEIGHT IN INCHES	TIERS AND CENTERS IN INCHES	MTG. HEIGHT IN INCHES	STEAM 215° FACTOR 1.00	HOT WATER (AVG.)					
TUBE SIZE	CATALOG DESIGNATION	FIN SIZE IN INCHES	FIN/FT	FIN THICKNESS						200°	190°	180°	170°	160°	150°
										FACTOR					
						0.86	0.78	0.69	0.61	0.53	0.45				
3/4"	VC3/4-33	3-1/4" SQ.	32	0.020"	4-5/8	14-3/16	1	18-3/16	1050	900	820	720	640	560	470
						20-3/16	1	24-3/16	1110	950	870	770	680	590	500
						"	2-6 CL	"	1660	1430	1290	1150	1010	880	750
						24-3/16	1	28-3/16	1160	1000	900	800	710	610	520
						"	2-6 CL	"	1740	1500	1360	1200	1060	920	780
3/4"	VC3/4-34	3-1/4" SQ.	40	0.020"	4-5/8	14-3/16	1	18-3/16	1230	1060	960	850	750	650	550
						20-3/16	1	24-3/16	1300	1120	1010	900	790	690	590
						"	2-6 CL	"	1890	1630	1470	1300	1150	1000	850
						24-3/16	1	28-3/16	1390	1200	1080	960	850	740	630
						"	2-6 CL	"	2010	1730	1570	1390	1230	1070	900
3/4"	VC3/4-35	3-1/4" SQ.	50	0.020"	4-5/8	14-3/16	1	18-3/16	1370	1180	1070	950	840	730	620
						20-3/16	1	24-3/16	1460	1260	1140	1010	890	770	660
						"	2-6 CL	"	2040	1750	1590	1410	1240	1080	920
						24-3/16	1	28-3/16	1550	1330	1210	1070	950	820	700
						"	2-6 CL	"	2170	1870	1690	1500	1320	1150	980
1"	VC33	3-1/4" SQ.	32	0.020"	4-5/8	14-3/16	1	18-3/16	1130	970	880	780	690	600	510
						20-3/16	1	24-3/16	1190	1020	930	820	730	630	540
						"	2-6 CL	"	1780	1530	1390	1230	1090	940	800
						24-3/16	1	28-3/16	1250	1080	980	860	760	660	560
						"	2-6 CL	"	1870	1610	1460	1290	1140	990	840
1"	VC34	3-1/4" SQ.	40	0.020"	4-5/8	14-3/16	1	18-3/16	1270	1090	990	880	770	670	570
						20-3/16	1	24-3/16	1340	1150	1050	920	820	710	600
						"	2-6 CL	"	1940	1670	1510	1340	1180	1030	870
						24-3/16	1	28-3/16	1430	1230	1120	990	870	760	640
						"	2-6 CL	"	1920	1650	1500	1320	1170	1020	860
1"	VC35	3-1/4" SQ.	50	0.020"	4-5/8	14-3/16	1	18-3/16	1320	1140	1030	910	810	700	590
						20-3/16	1	24-3/16	1400	1200	1090	970	850	740	630
						"	2-6 CL	"	1950	1680	1520	1350	1190	1030	880
						24-3/16	1	28-3/16	1490	1280	1160	1030	910	790	670
						"	2-6 CL	"	2080	1790	1620	1440	1270	1100	940
1-1/4"	VC133	3-1/4" SQ.	32	0.020"	4-5/8	14-3/16	1	18-3/16	1130	970	880	780	690	600	510
						20-3/16	1	24-3/16	1190	1020	930	820	730	630	540
						"	2-6 CL	"	1780	1530	1390	1230	1090	940	800
						24-3/16	1	28-3/16	1250	1080	980	860	760	660	560
						"	2-6 CL	"	1870	1610	1460	1290	1140	990	840
1-1/4"	VC134	3-1/4" SQ.	40	0.020"	4-5/8	14-3/16	1	18-3/16	1250	1080	980	860	760	660	560
						20-3/16	1	24-3/16	1320	1140	1030	910	810	700	590
						"	2-6 CL	"	1920	1650	1500	1320	1170	1020	860
						24-3/16	1	28-3/16	1410	1210	1100	970	860	750	630
						"	2-6 CL	"	1890	1630	1470	1300	1150	1000	850
1-1/4"	VC135	3-1/4" SQ.	50	0.020"	4-5/8	14-3/16	1	18-3/16	1300	1120	1010	900	790	690	590
						20-3/16	1	24-3/16	1390	1200	1080	960	850	740	630
						"	2-6 CL	"	1940	1670	1510	1340	1180	1030	870
						24-3/16	1	28-3/16	1470	1260	1150	1010	900	780	660
						"	2-6 CL	"	2050	1760	1600	1410	1250	1090	920

## STYLES JDV3 DURAVANE II

STEEL ELEMENT					ENCLOSURE DEPTH IN INCHES	ENCLOSURE HEIGHT IN INCHES	TIERS AND CENTERS IN INCHES	MTG. HEIGHT IN INCHES	STEAM 215° FACTOR 1.00	HOT WATER (AVG.)					
I.P.S. SIZE	CATALOG DESIGNATION	FIN SIZE IN INCHES	FIN/FT	FIN THICKNESS						200°	190°	180°	170°	160°	150°
										FACTOR					
						0.86	0.78	0.69	0.61	0.53	0.45				
1-1/4"	VS133	3-1/4" SQ.	32	0.032"	4-5/8	14-3/16	1	18-3/16	1020	880	800	700	620	540	460
						20-3/16	1	24-3/16	1120	960	870	770	680	590	500
						"	2-6 CL	"	1680	1440	1310	1160	1020	890	760
						24-3/16	1	28-3/16	1160	1000	900	800	710	610	520
						"	2-6 CL	"	1740	1500	1360	1200	1060	920	780
1-1/4"	VS134	3-1/4" SQ.	40	0.032"	4-5/8	14-3/16	1	18-3/16	1110	950	870	770	680	590	500
						20-3/16	1	24-3/16	1290	1100	1010	890	790	680	580
						"	2-6 CL	"	1800	1550	1400	1240	1100	950	810
						24-3/16	1	28-3/16	1330	1140	1040	920	810	700	600
						"	2-6 CL	"	1860	1600	1450	1280	1130	990	840

†NPT threads furnished on steel elements. Please use domestic fittings for proper installation.

**"3" OFFSET**



ELEMENT TUBE SIZE	CRADLE NO.	A MIN	A MAX
3/4 COPPER	2	$7 \frac{3}{8}$	$9 \frac{5}{8}$
1" COPPER	2	$7 \frac{1}{2}$	$9 \frac{3}{4}$
1 1/4 COPPER	2	$7 \frac{5}{8}$	$9 \frac{7}{8}$
1 1/4 STEEL	1	7"	$9 \frac{1}{4}$